

HELI
LIFTING THE FUTURE

25 YEARS

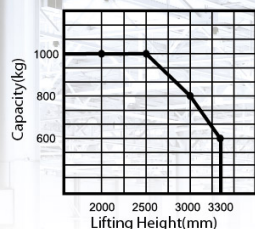
TOP1 FORKLIFT MANUFACTURER AND SALER
IN CHINA FOR CONSECUTIVE 25 YEARS

CDD10-070

1.0 Ton Electric Fork Over Stacker

Lifting Height: 2000-3300mm

Load Curve



Advantages

Configuration and Performance

- Separately excited motor, Strong climbing ability.
- High strength forks.
- Built-in charger.
- Automatic lifting limit, Motor and battery life extension.

Safety

- Stepless speed control system, safe and quiet.
- Controller with Multiple automatic protection
- Emergency reversing device/Emergency brake switch.

Built-in charger

Free-maintained battery

Integrated fork, much stronger

24 YEARS

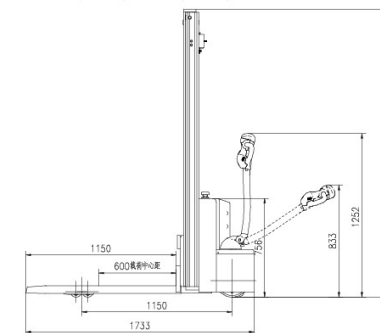
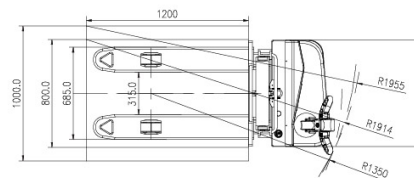
TOP1 FORKLIFT MANUFACTURER AND SALER
IN CHINA FOR CONSECUTIVE 24 YEARS

Type	Lift height (mm)	Mast type	Outside width between legs (mm)	Inside width between legs (mm)
CDD10-070	2000/2500/3000/3300	Standard 2-STAGE	550/600/650/685	180/230/280/315

HELI CDD10-070

Feature		
Model		CDD10
Configuration No.		070
Type		Fork over
Mast type		Standard 2-Stage
Load capacity	kg	1000
Load center	mm	600
Wheel base	mm	1150
Operating type		Walkie
Wheels		
Wheels type		PU
Wheel quantity Driving wheel/Balance wheel/Bearing wheel		1/1/4
Dimension		
Standard lift height	mm	2000/2500/3000/3300
Max.extend height	mm	2385/2885/3385/3685
Mast lowered height	mm	1550/1800/2050/2200
Lowered fork height	mm	90
Fork size(length/width/thickness)	mm	1150(1220)/185/55
Overall length	mm	1733
Overall width	mm	790
Outside width between forks	mm	550/600/650/685
Inside width between forks	mm	180/230/280/315
Min.Turning radius	mm	1350
Min.Aisle width for pallets 800×1200	mm	1914
Min.Aisle width for pallets 1000×1200	mm	1955
Min.ground clearance	mm	30
Performance		
Travel speed,laden/unladen	km/h	3/3.5
Lift speed,laden/unladen	mm/s	120/180
Lowering speed,laden/unladen	mm/s	120/120
Gradeability,laden/unladen	%	5/7
Electrical configuration		
Drive motor/Lift motor/Steering motor	kW	DC0.63/DC2.0
Battery voltage	V	24
Battery capacity	Ah	85
Brake		Electromagnetic/Regenerative
Controller		HELI(Options CURTIS)
Weight		
Battery weight	kg	52
Service weight with battery	kg	600

* Details of specifications and equipment are based on information available at time of printing and may change without notice.



ANHUI HELI CO., LTD.

ADD: NO.668 Fangxing Street, Economical Development Zone, Hefei, P.R. China
TEL: (86 551) 63639068, 63639258, 63639358, 63662105, 63639530
FAX: (86 551) 63639966
WEBSITE: <http://www.helichina.net>
Email: heli@helichina.net

AUTHORIZED DEALER

© 2016 heli copyright

Catalog No.2016.02 HELI Print